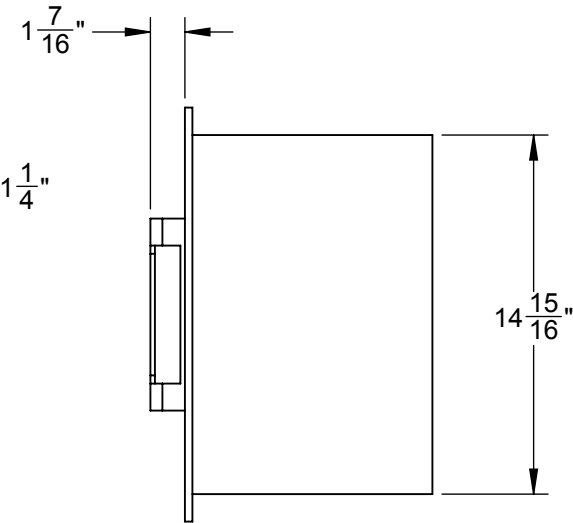
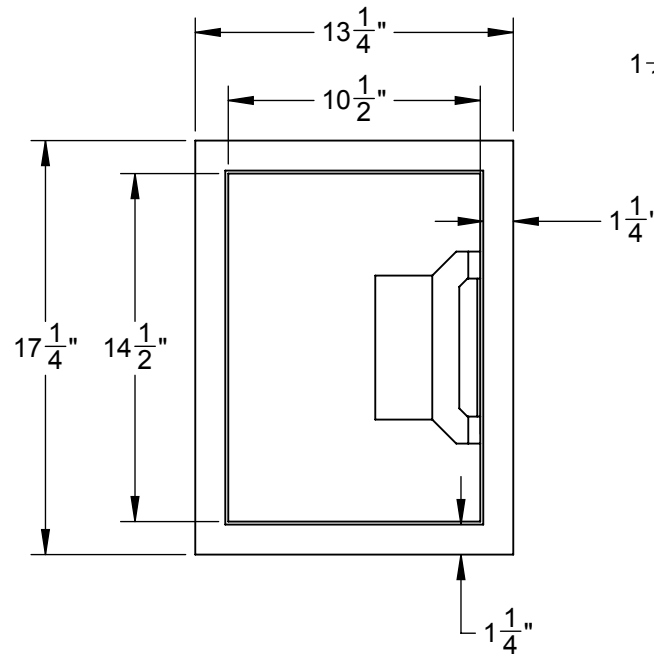
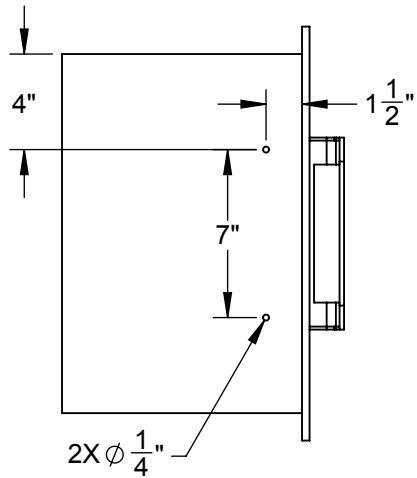
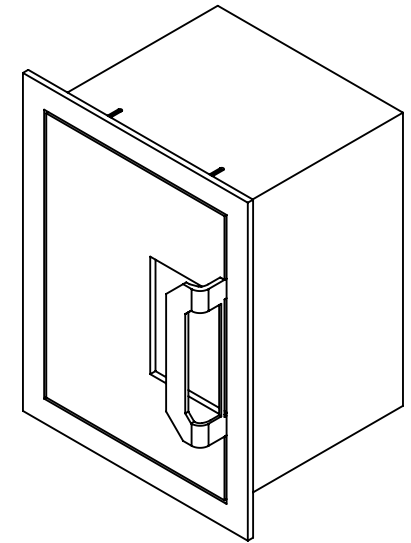
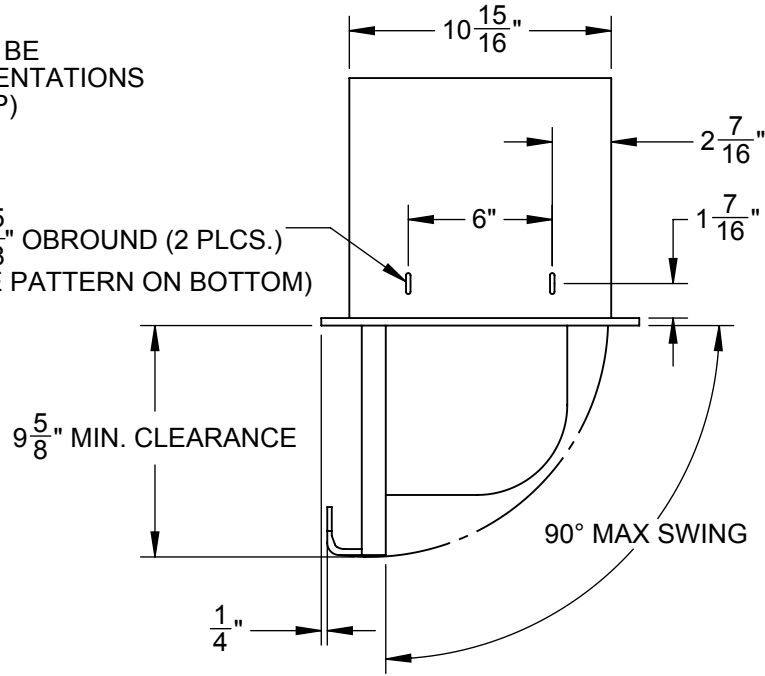


AEPTD16: PAPER TOWEL DISPENSER, 16"



PAPER TOWEL DISPENSER CAN BE
INSTALLED IN 3 DIFFERENT ORIENTATIONS
(HANDLE ON LEFT, RIGHT, & TOP)

$\frac{3}{16}$ " X $\frac{5}{8}$ " OBOUND (2 PLCS.)
(SAME PATTERN ON BOTTOM)



CUTOUT DIMENSIONS:
15" H - 11 $\frac{1}{8}$ " W - 10 $\frac{1}{8}$ " D