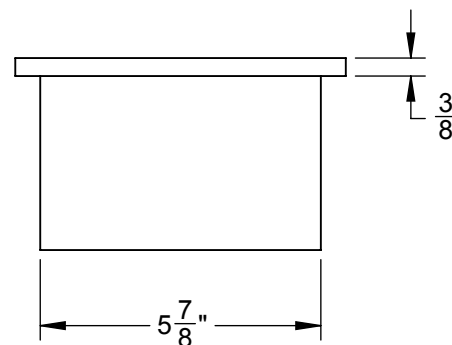
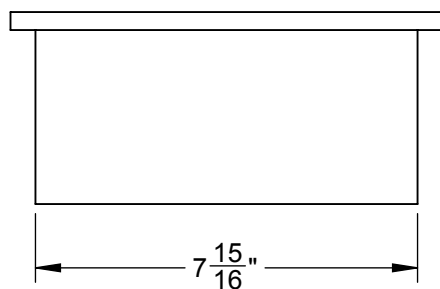
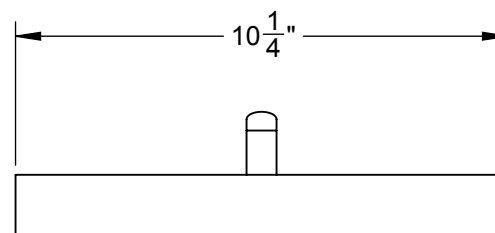
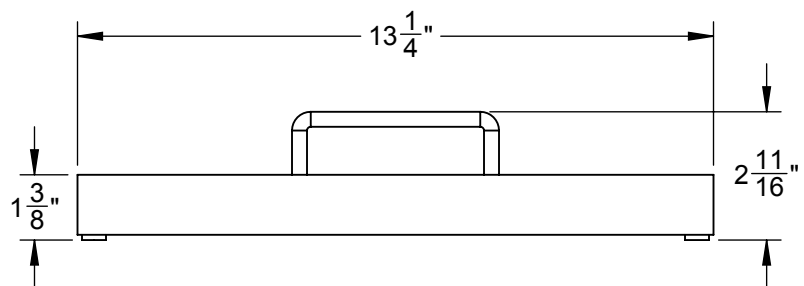
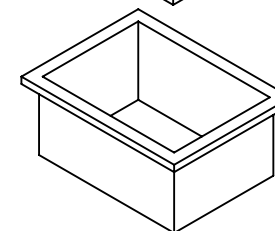
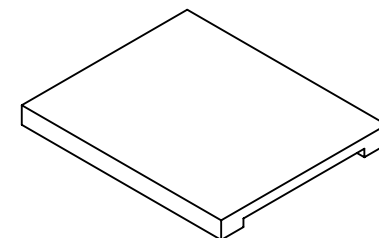
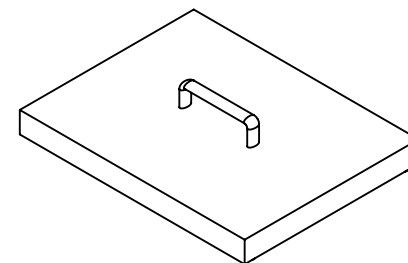
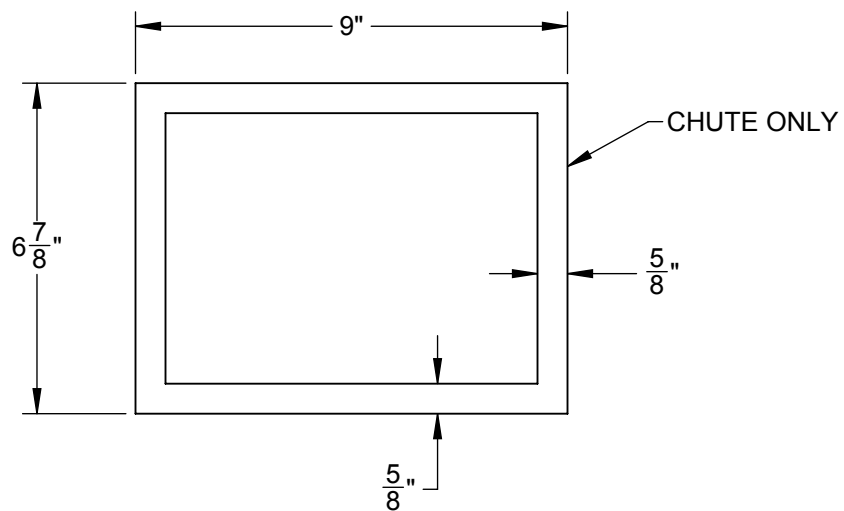


AETC: COUNTERTOP TRASH CHUTE W/ CUTTING BOARD & COVER



CUTTING BOARD NOT SHOWN

CUTOUT DIMENSIONS:
 $\frac{1}{8}$ " W - $8\frac{1}{8}$ " D