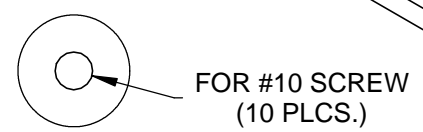
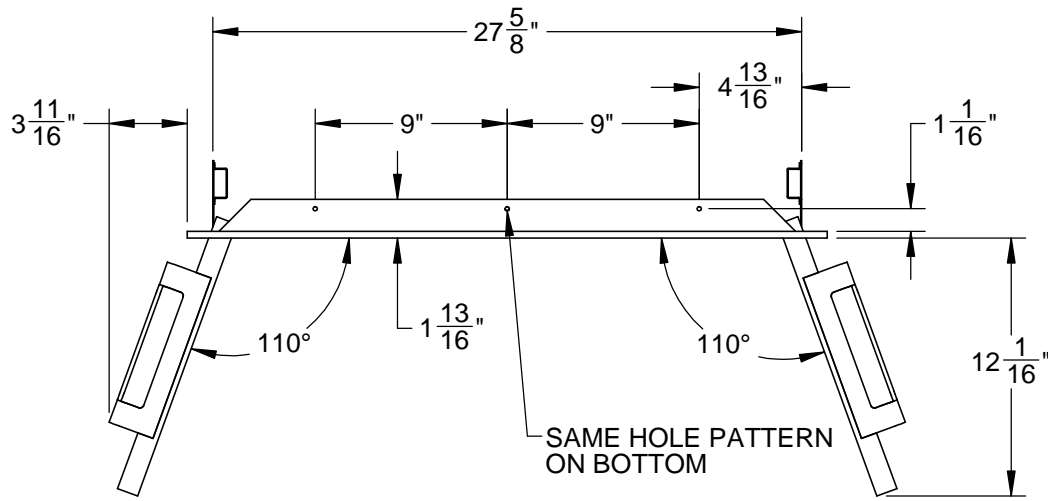
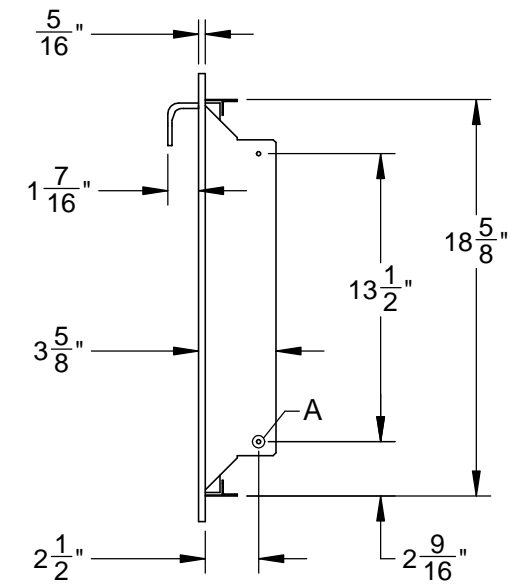
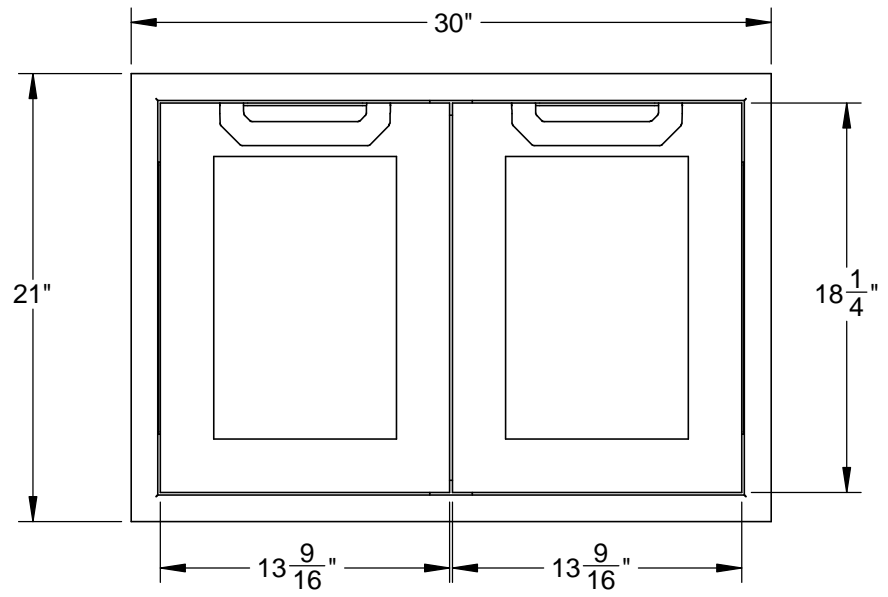
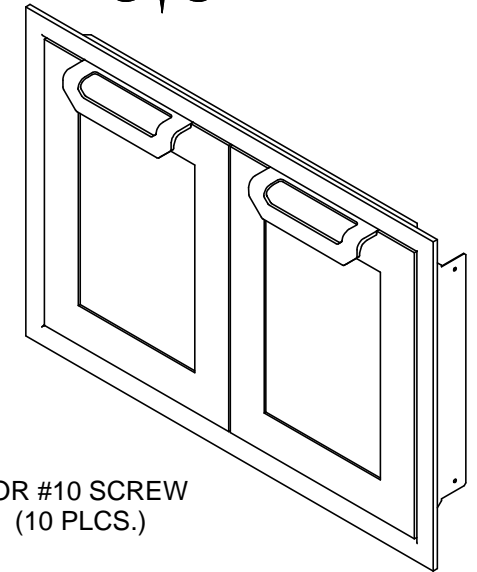


# AGAD30: DOUBLE ACCESS DOORS, MARQUISE, 30"



**DETAIL A**  
SCALE 1 : 1



CUTOUT DIMENSIONS:  
19" H - 27 7/8" W