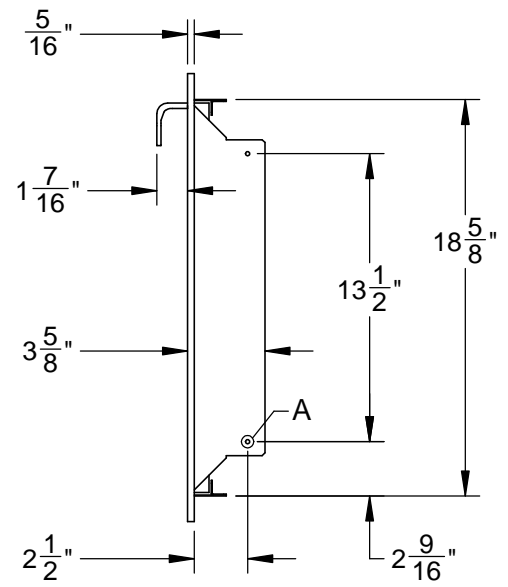
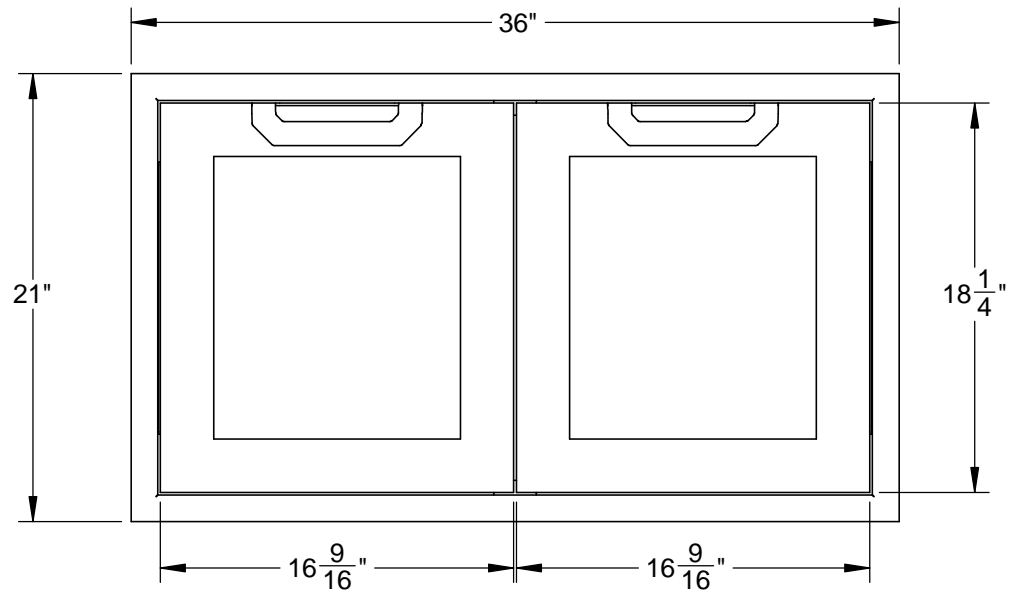
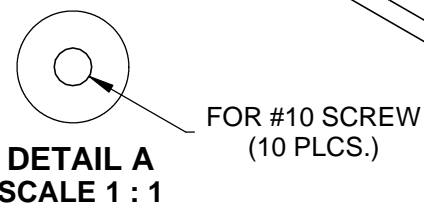
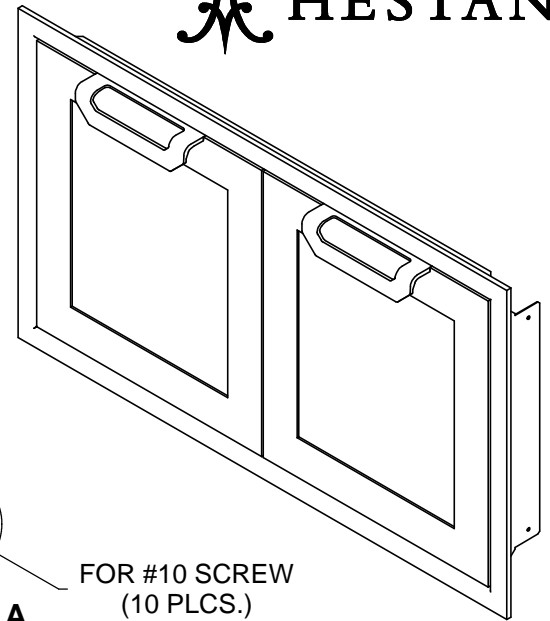
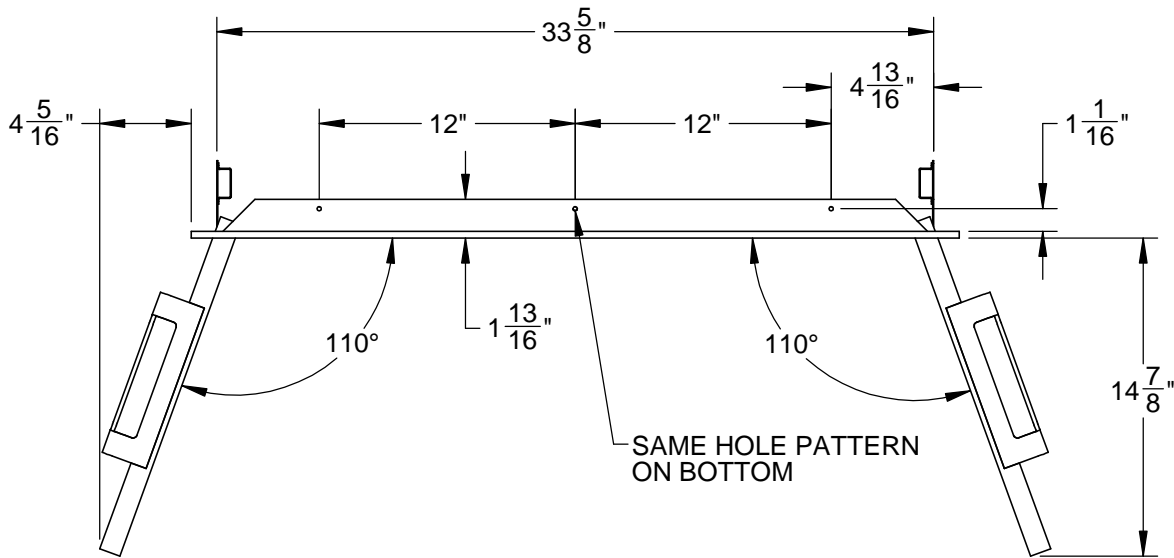


# AGAD36: DOUBLE ACCESS DOORS, MARQUISE, 36"



CUTOUT DIMENSIONS:  
 $19$ " H -  $33\frac{7}{8}$ " W