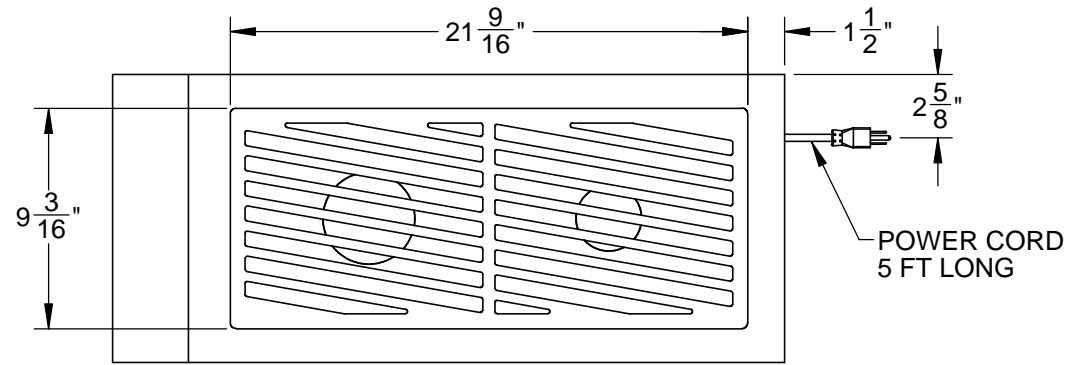
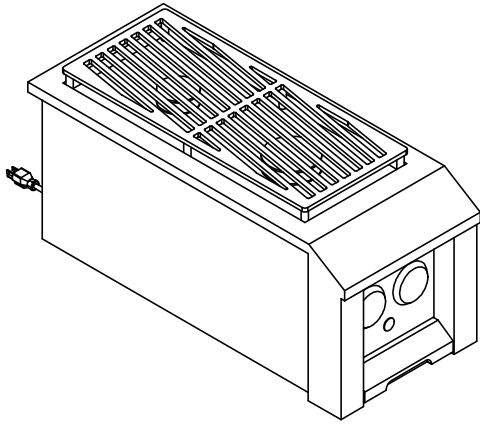
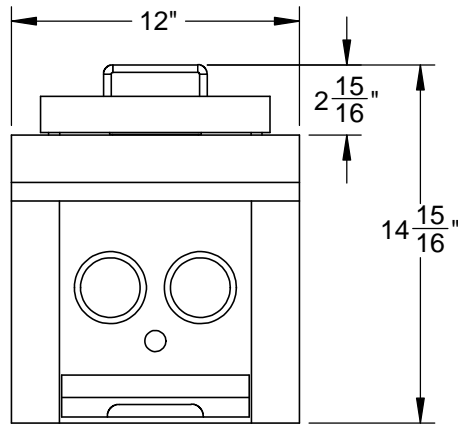


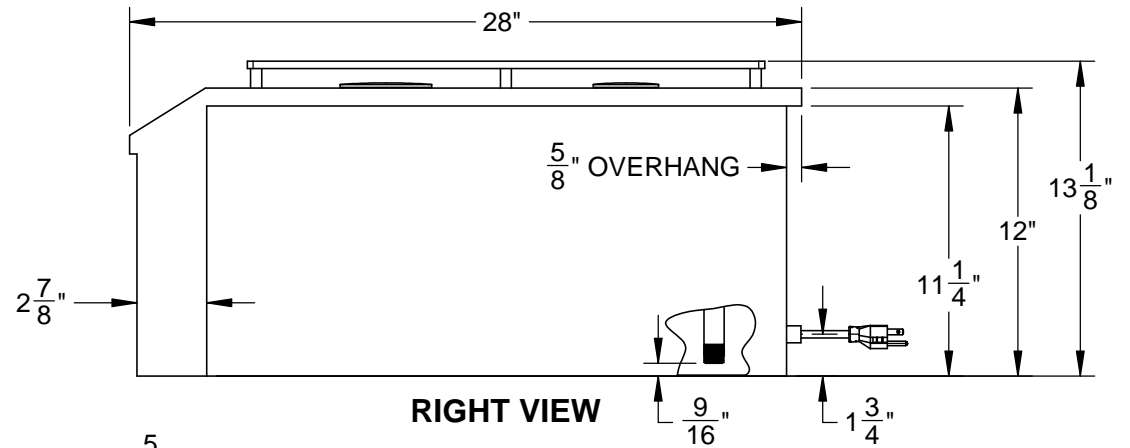
# AGB122: DOUBLE SIDE BURNER



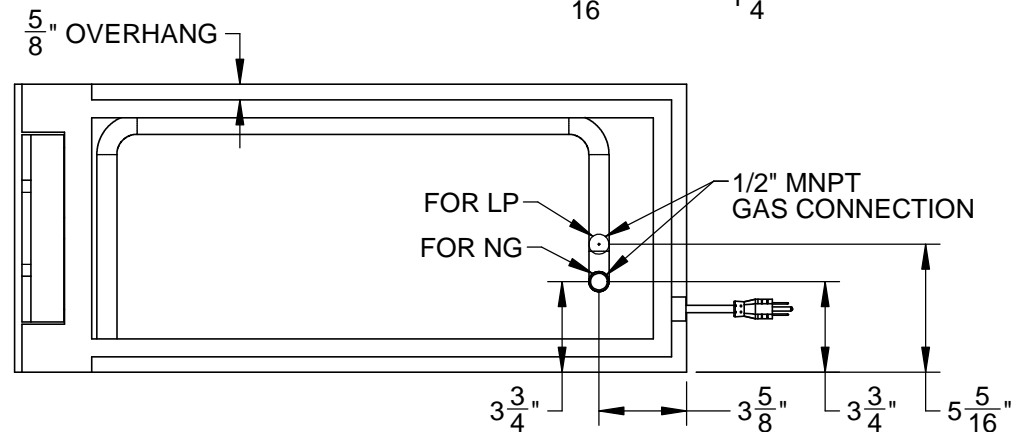
TOP VIEW



FRONT VIEW



RIGHT VIEW

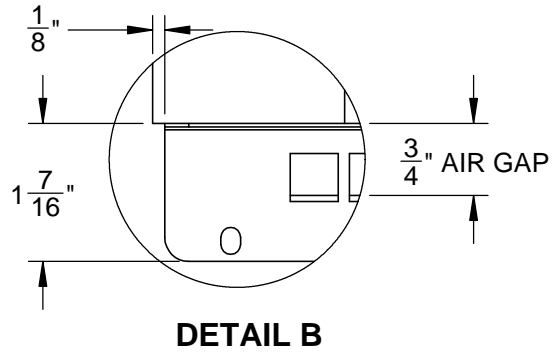
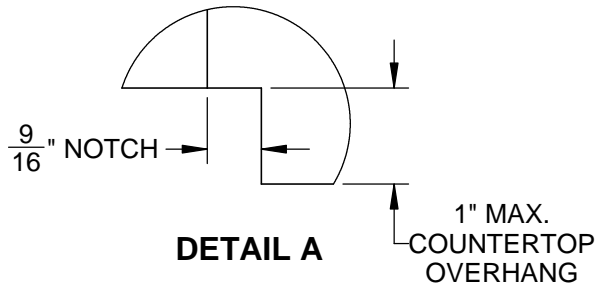


BOTTOM VIEW

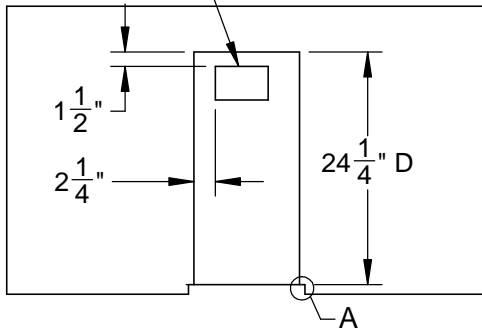
# AGB122: DOUBLE SIDE BURNER



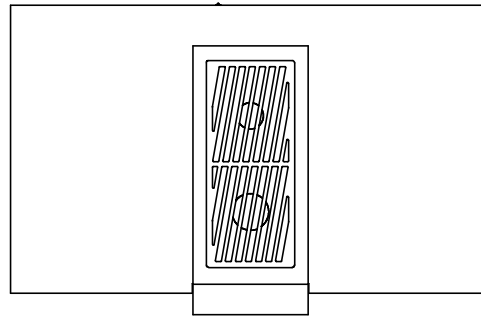
## COUNTERTOP OVERHANG DETAIL



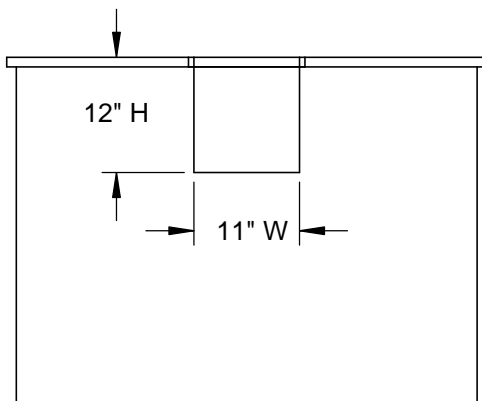
3-1/2" X 5-1/2"  
MIN. OPENING  
FOR GAS & ELEC.



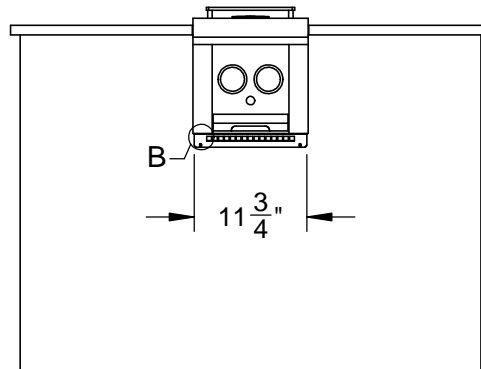
**TOP VIEW**



**TOP VIEW (UNIT INSTALLED)**



**FRONT VIEW**



**FRONT VIEW (UNIT INSTALLED)**

