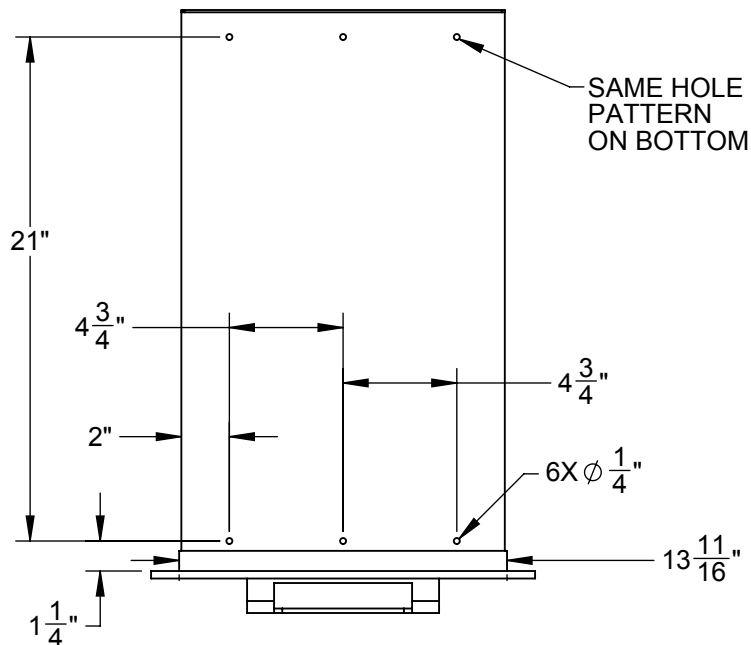
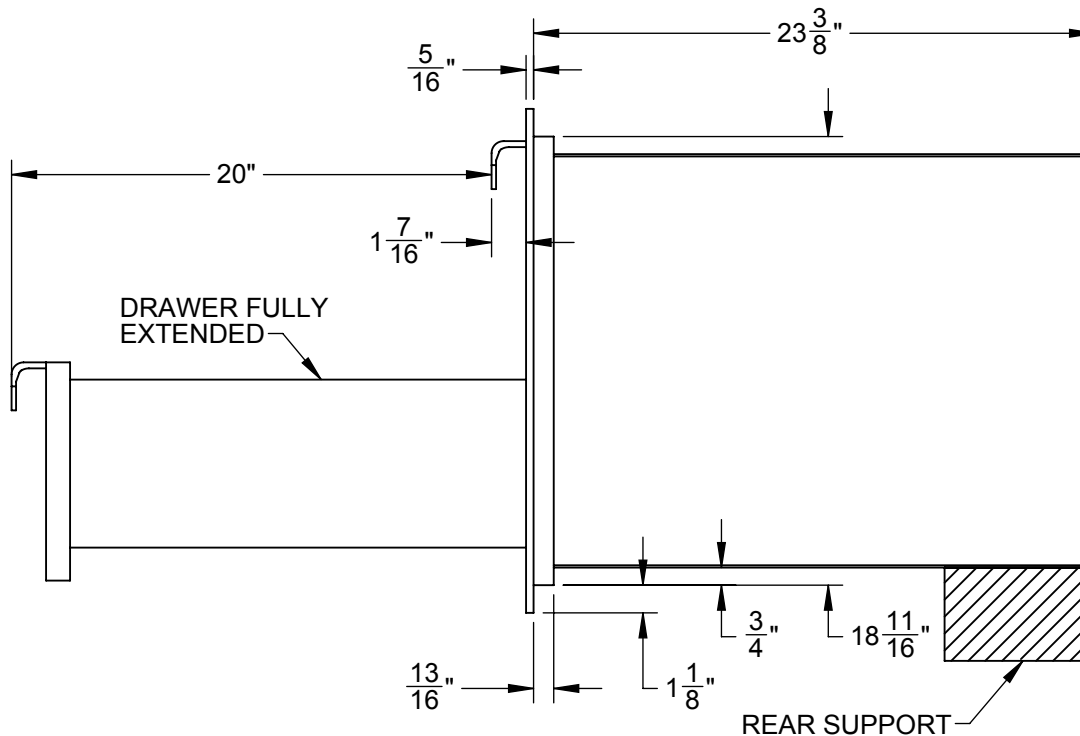
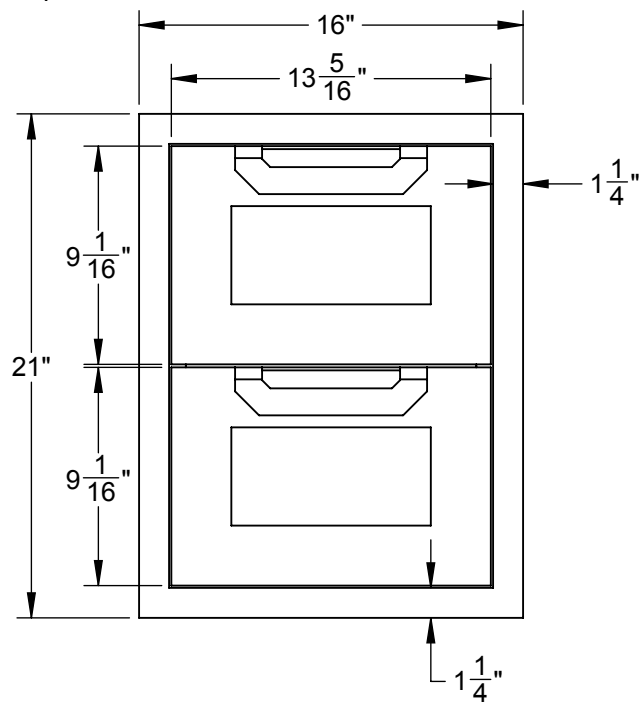
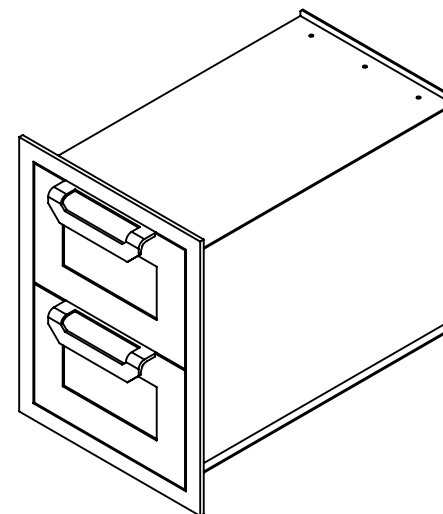


AGDR16: DOUBLE DRAWER, MARQUISE, 16"



CUTOUT DIMENSIONS:
19" H - 13 $\frac{7}{8}$ " W - 23 $\frac{3}{8}$ " D



Revised: 9/22/2016