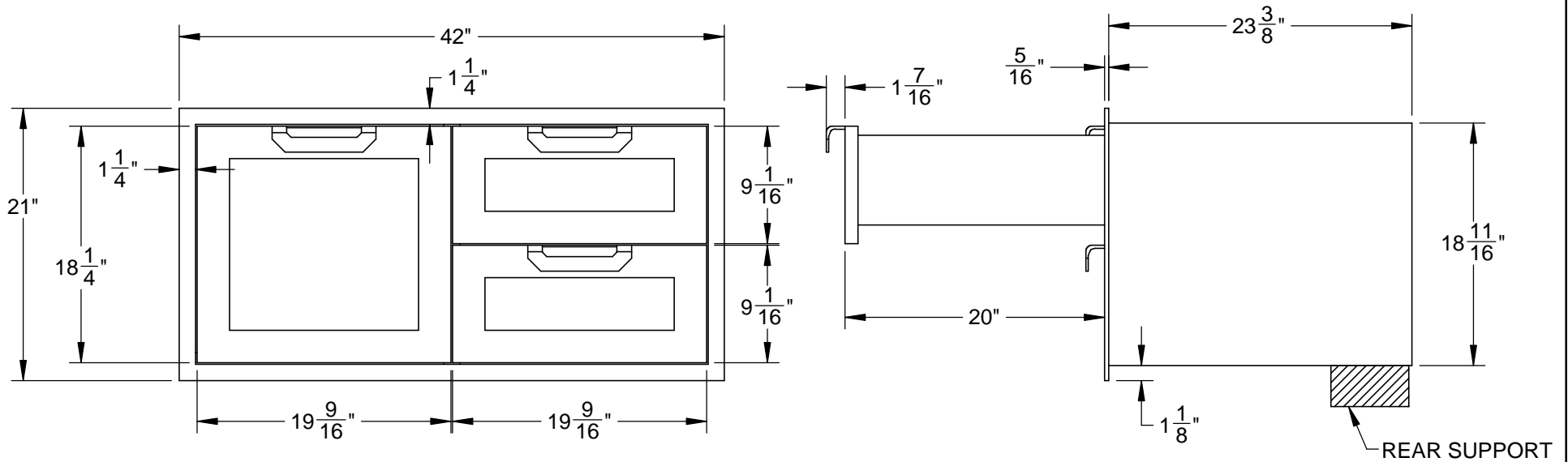
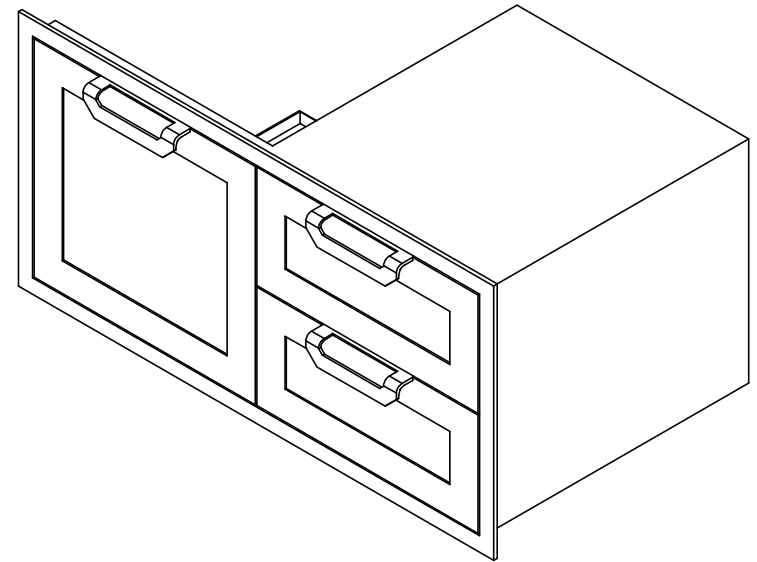
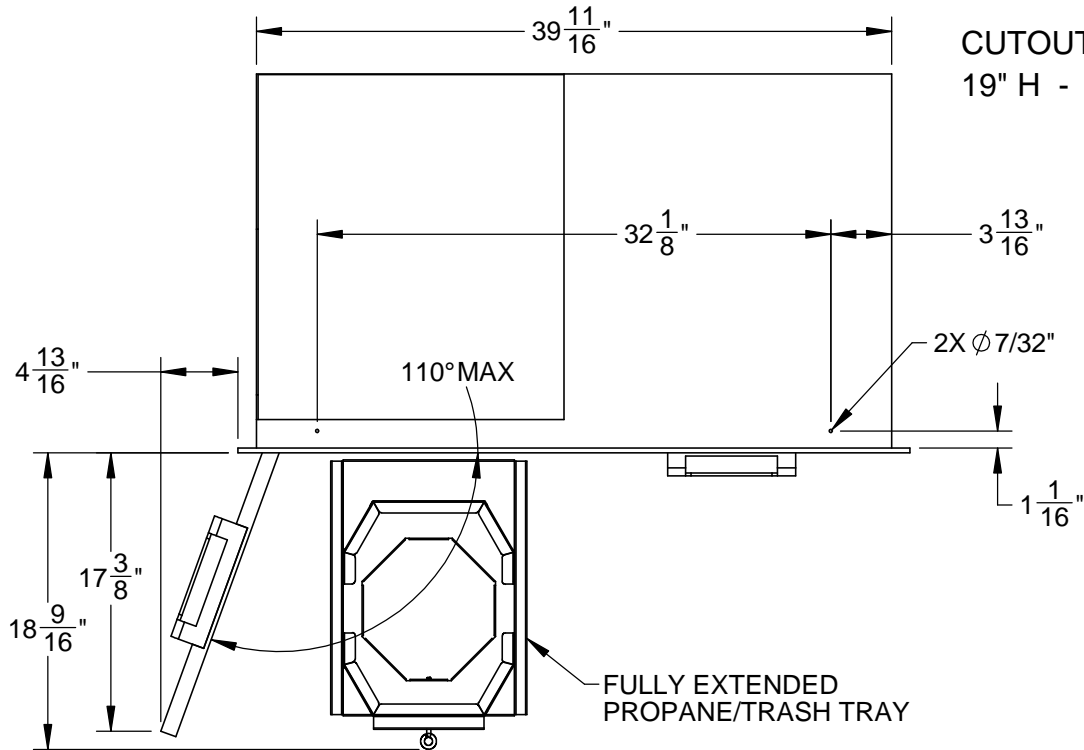


AGSDR42: DOUBLE DRAWER AND STORAGE DOOR COMBINATION, MARQUISE, 42"



CUTOUT DIMENSIONS:  
19" H - 39<sup>7</sup>/<sub>8</sub>" W - 23<sup>3</sup>/<sub>8</sub>" D



Revised: 5/3/2016