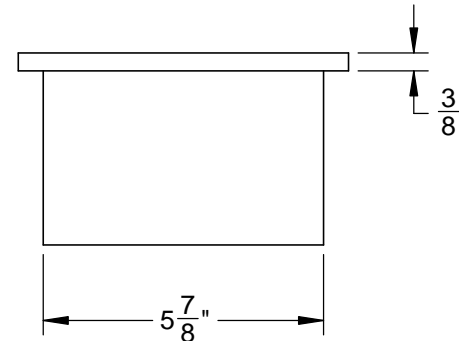
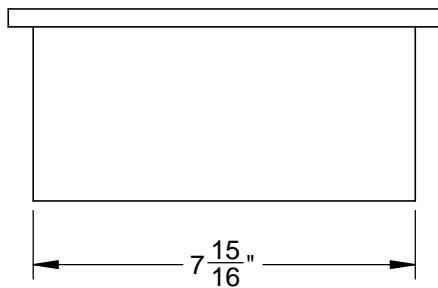
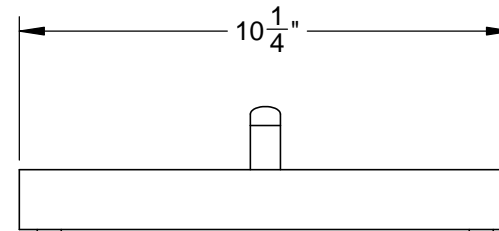
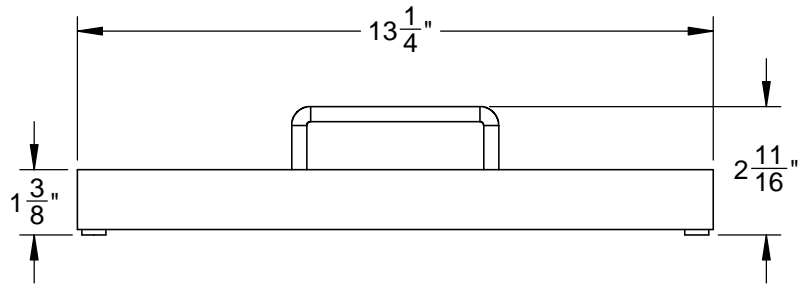
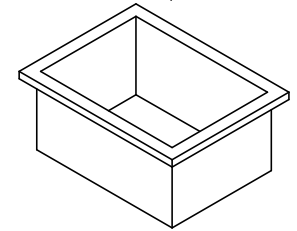
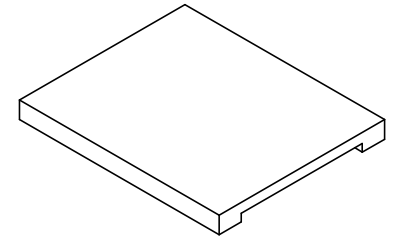
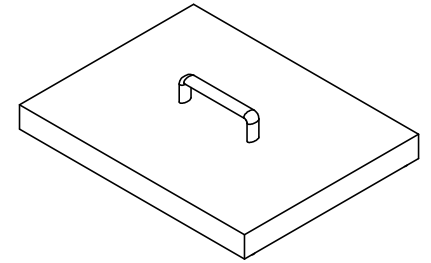
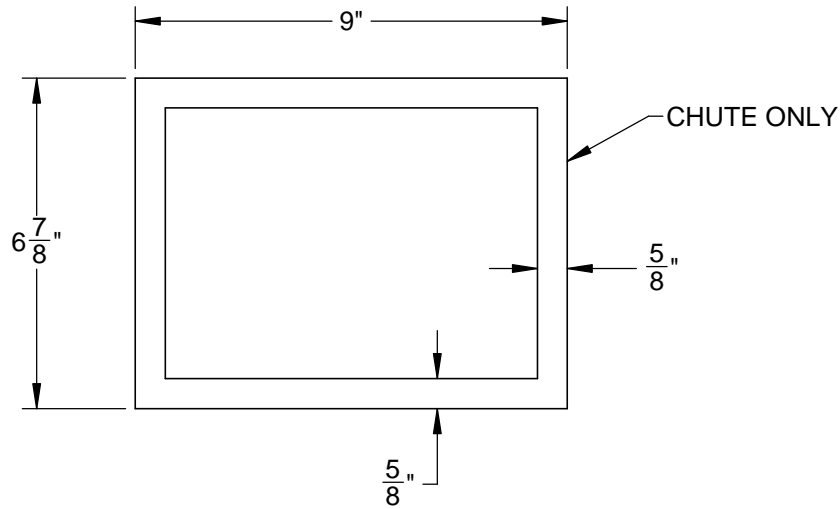


AGTC: COUNTERTOP TRASH CHUTE w/ CUTTING BOARD & COVER



CUTTING BOARD NOT SHOWN

CUTOUT DIMENSIONS:
 $\frac{1}{8}$ " W - $\frac{1}{8}$ " D