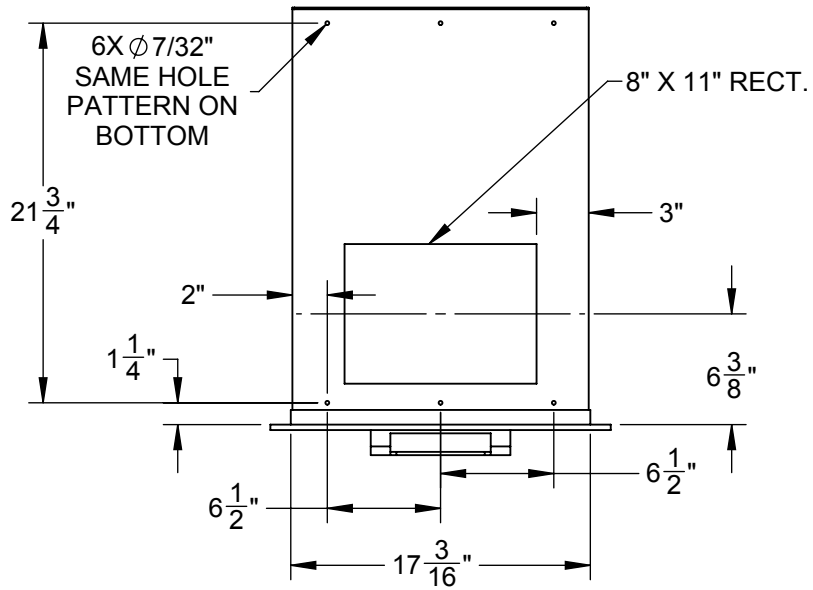
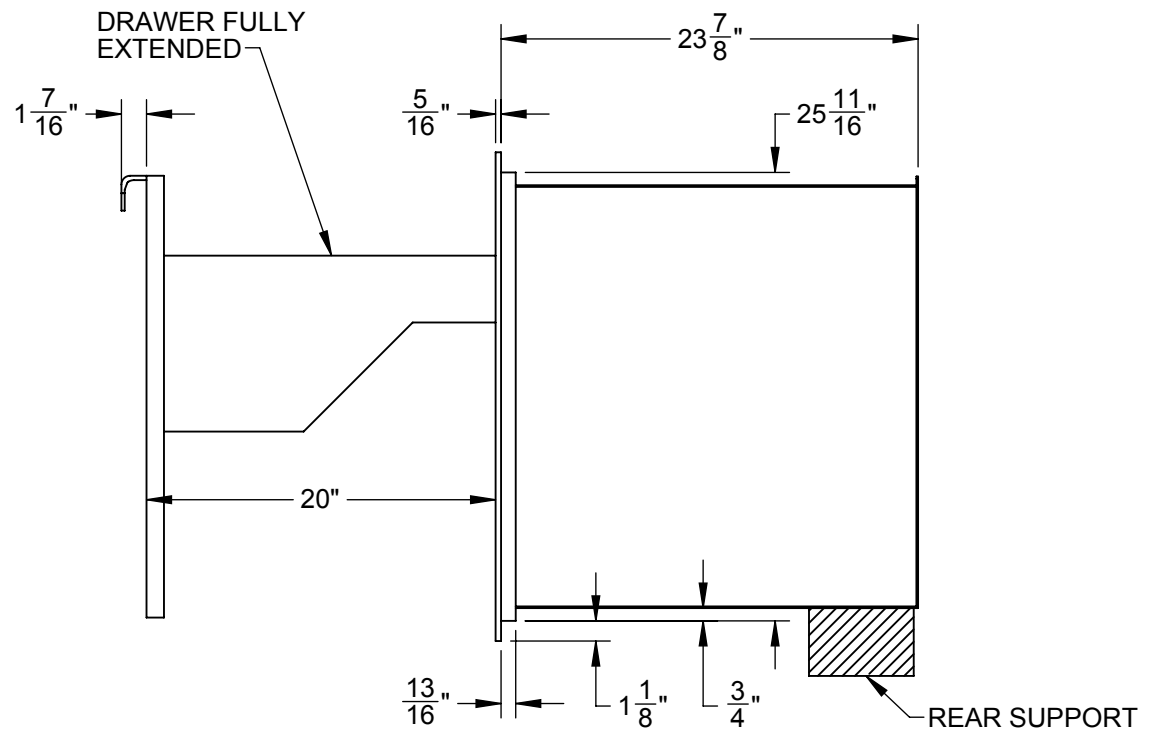
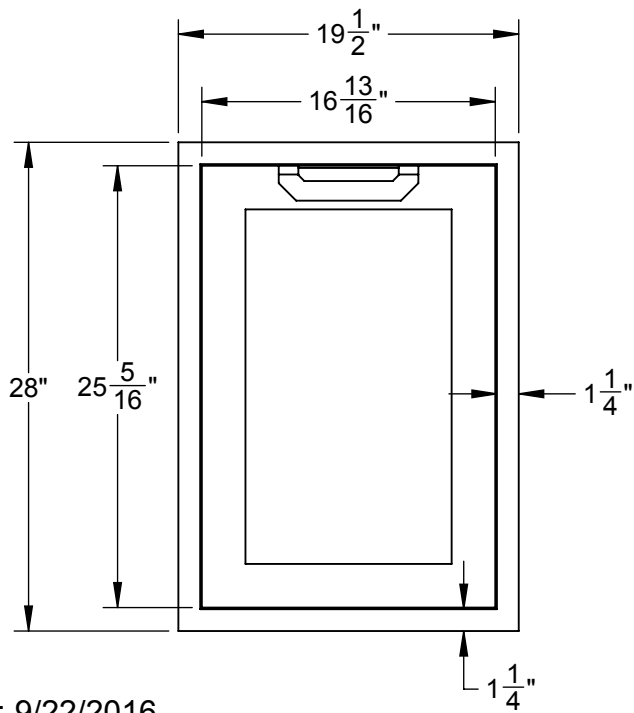
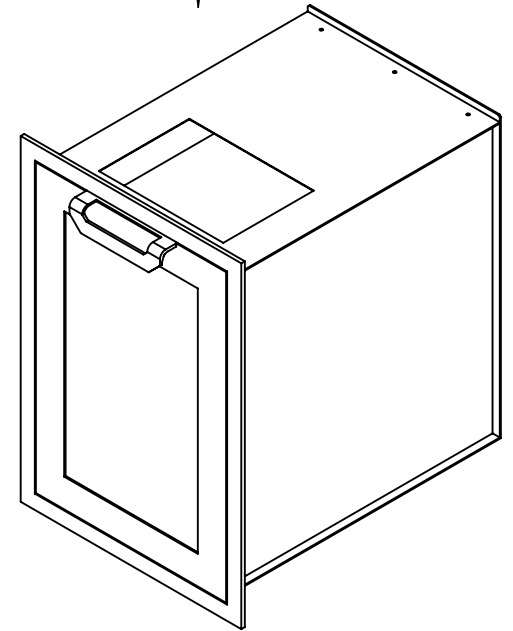


AGTRC20: TRASH AND RECYCLE CENTER STORAGE DRAWER, MARQUISE, 20"



CUTOUT DIMENSIONS:
26" H - 17 $\frac{1}{4}$ " W - 24" D



Revised: 9/22/2016