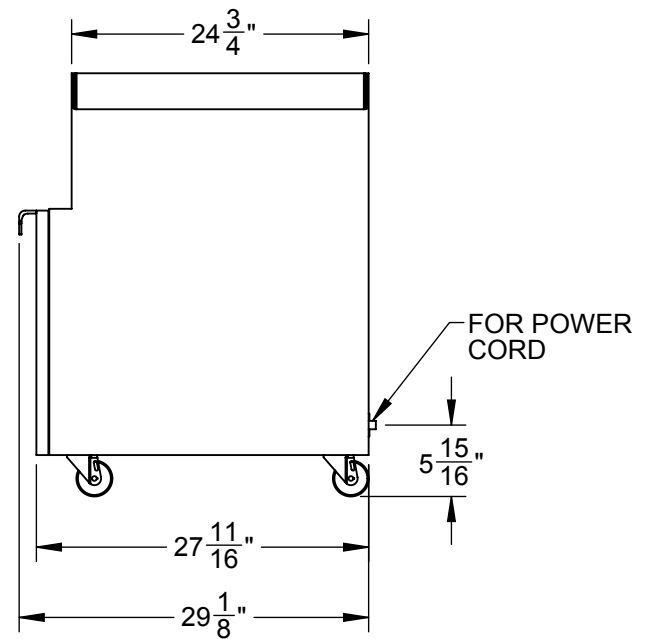
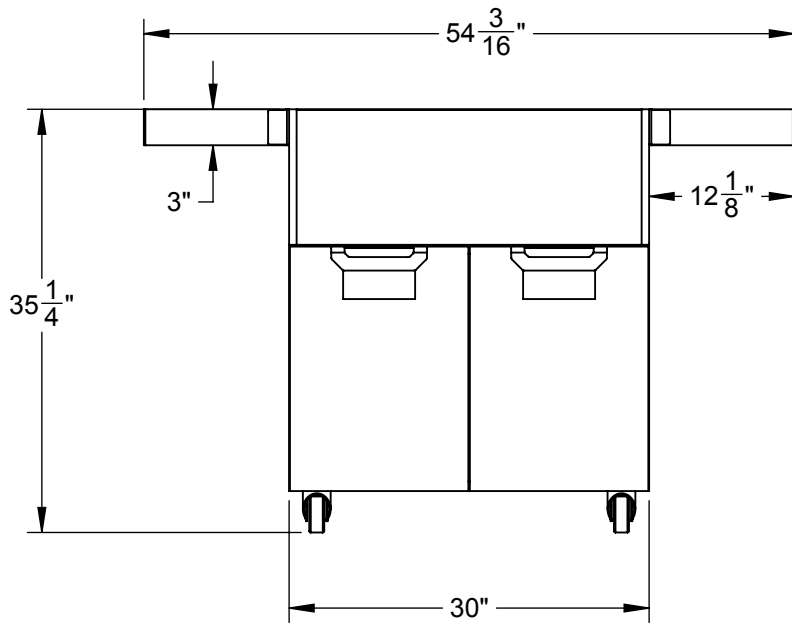
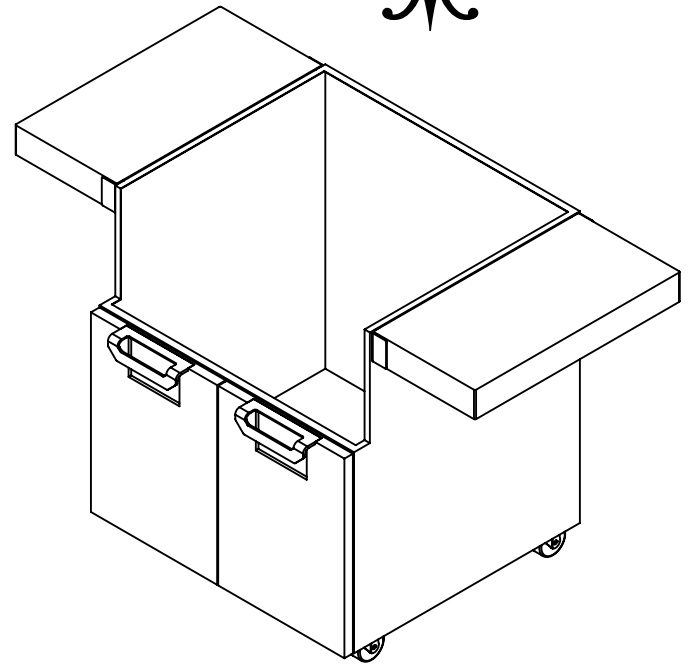
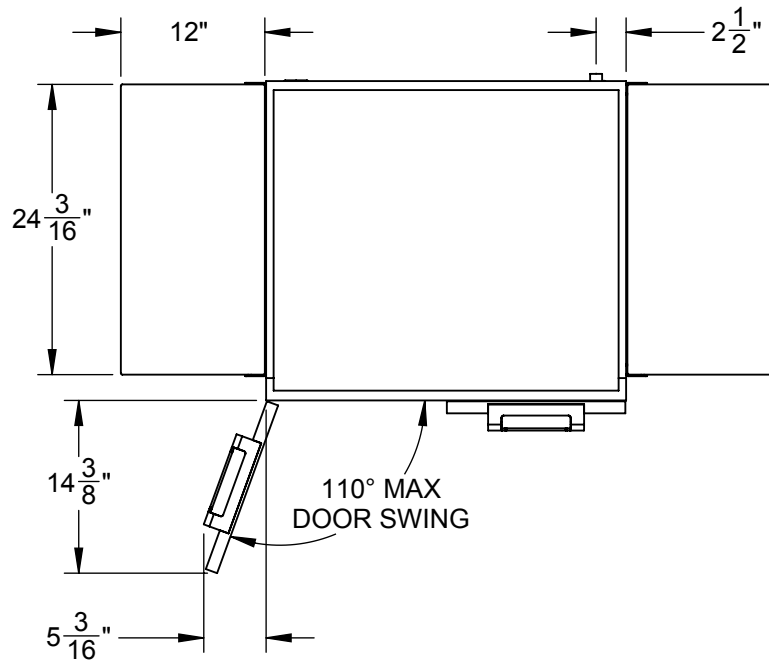


ECD30: DOUBLE DOOR CART, 30"



Revised: 3/23/2017