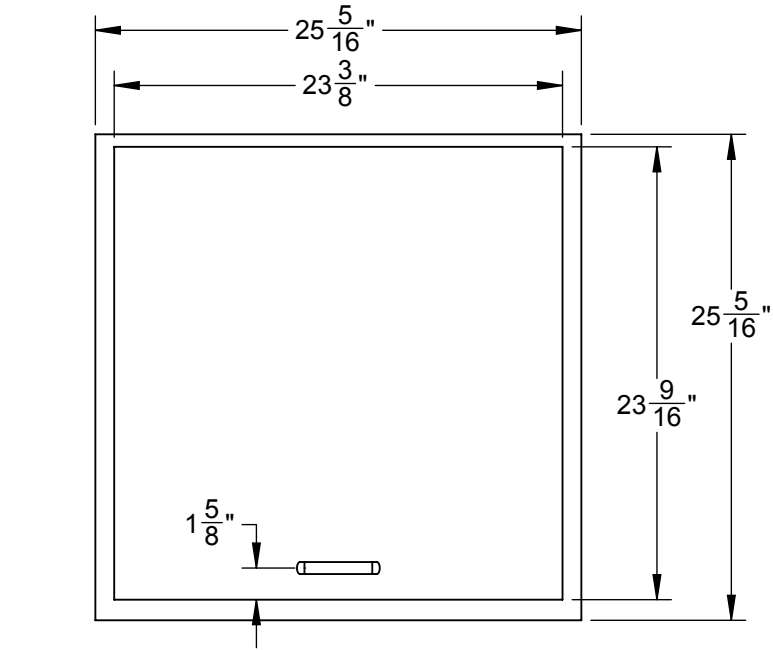


EDC24: DROP-IN COOLER, 24"



CUTOUT DIMENSIONS:

$23 \frac{11}{16}$ " X $23 \frac{11}{16}$ "

