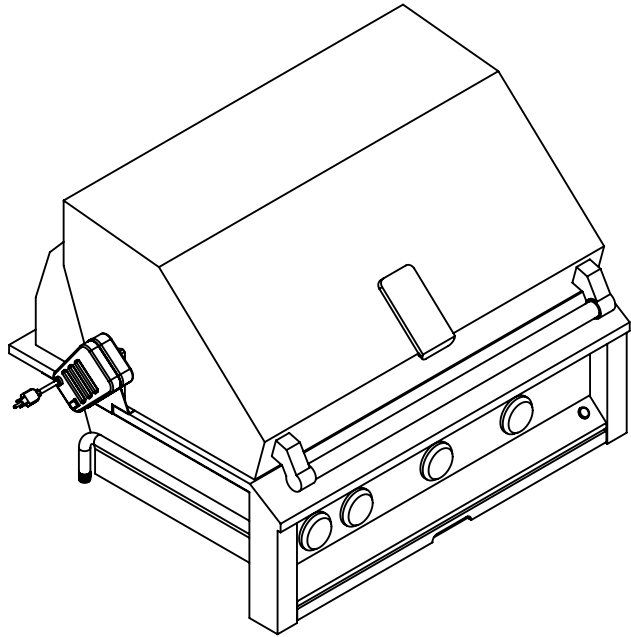
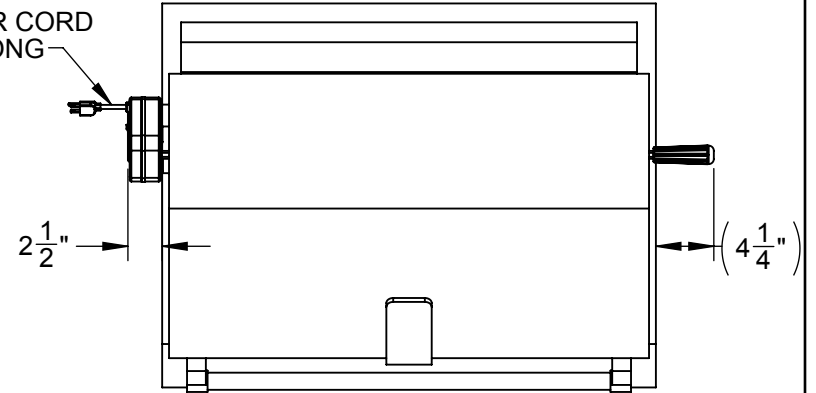


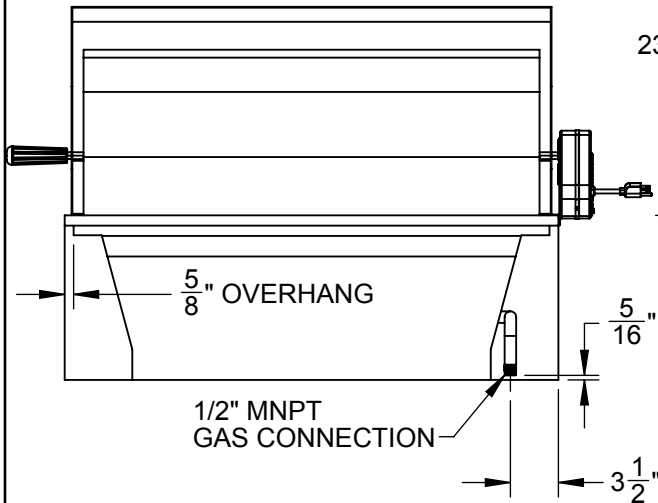
EXBR36 / EXB36: GRILL, BUILT-IN, 36" (ROTISSERIE MODEL SHOWN)



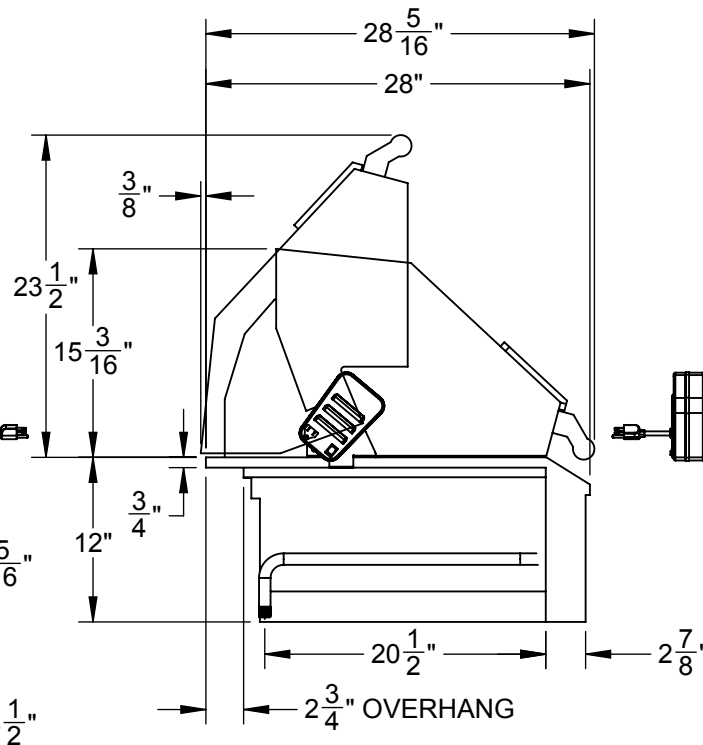
POWER CORD
3 FT LONG



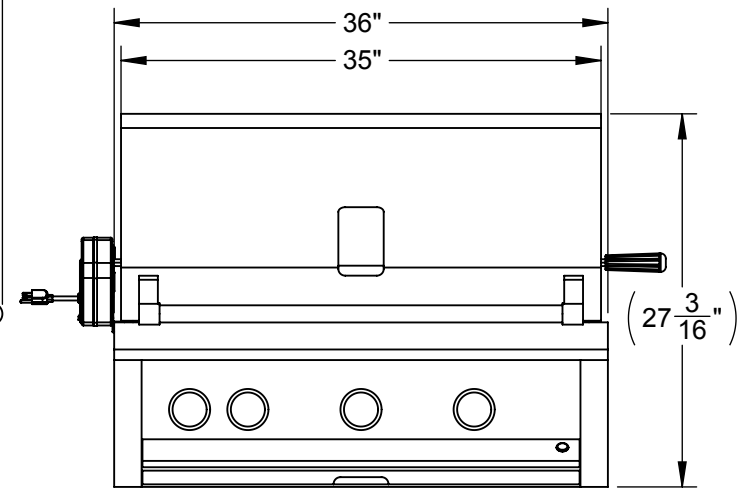
TOP VIEW



REAR VIEW



LEFT VIEW

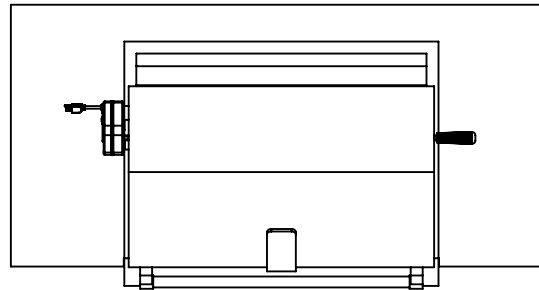
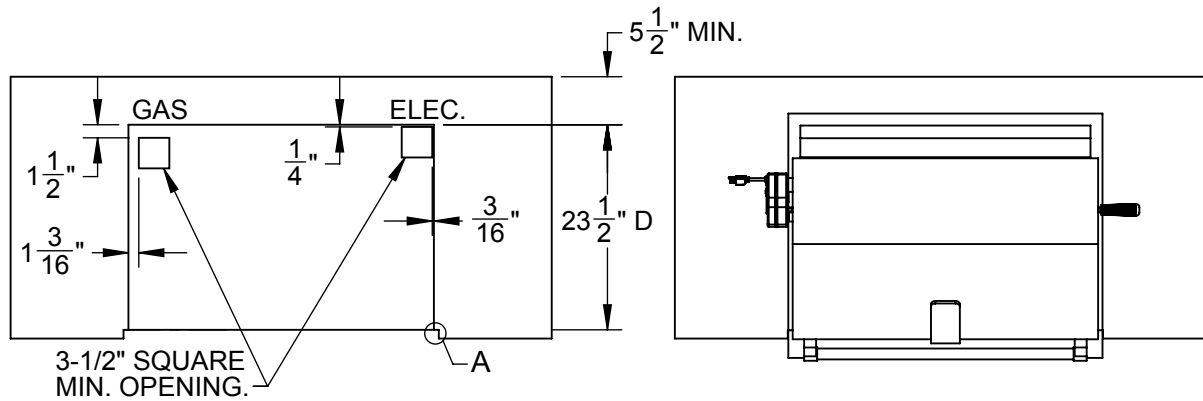
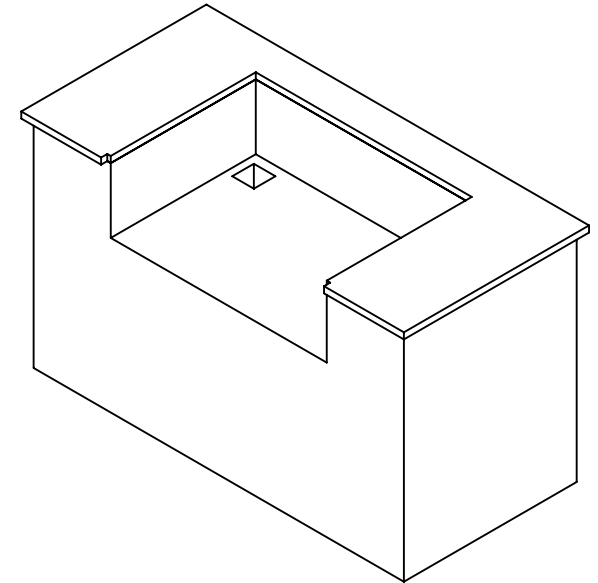
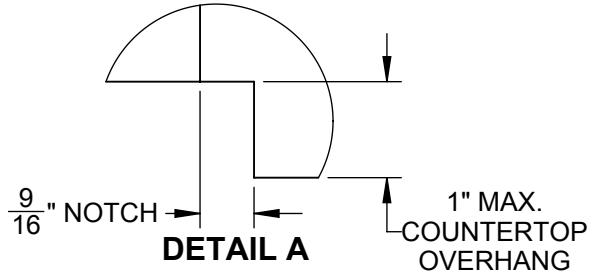


FRONT VIEW

EXBR36 / EXB36: GRILL, BUILT-IN, 36" (ROTISSERIE MODEL SHOWN)

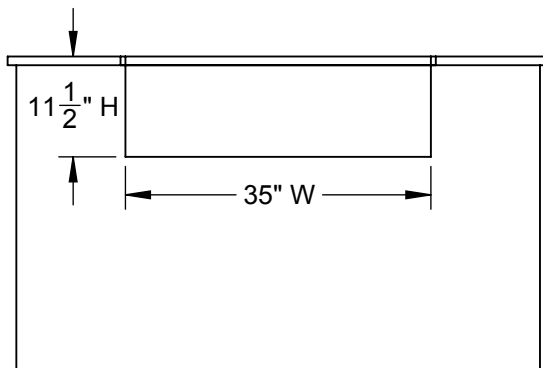
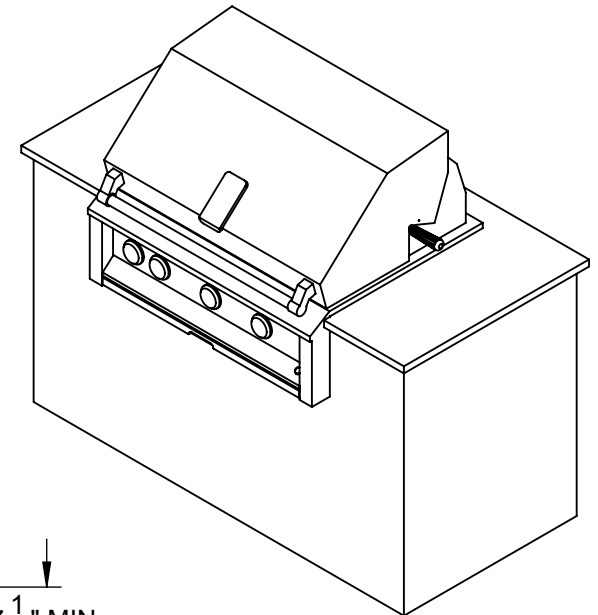


COUNTERTOP OVERHANG DETAIL

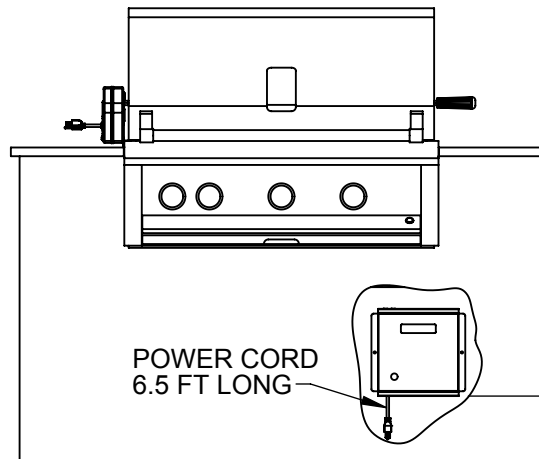


TOP VIEW

TOP VIEW (UNIT INSTALLED)



FRONT VIEW



FRONT VIEW (UNIT INSTALLED)

$7\frac{1}{2}$ " MIN.