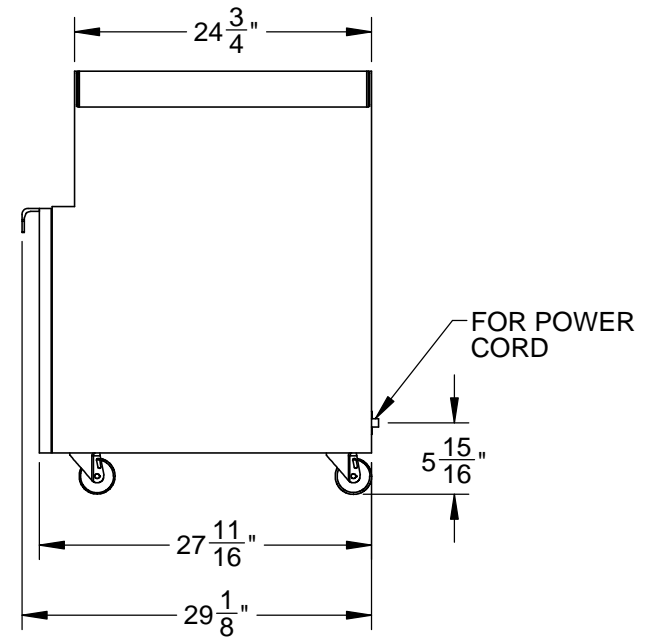
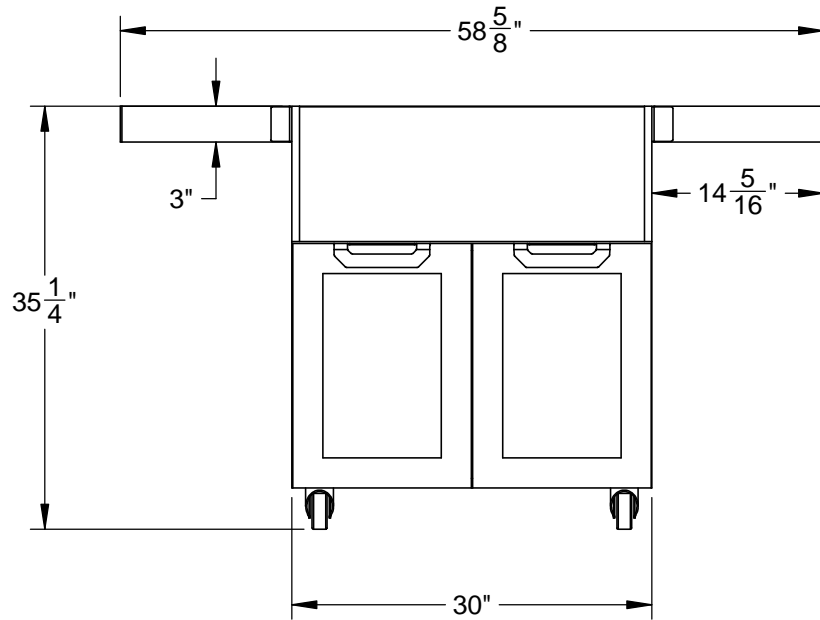
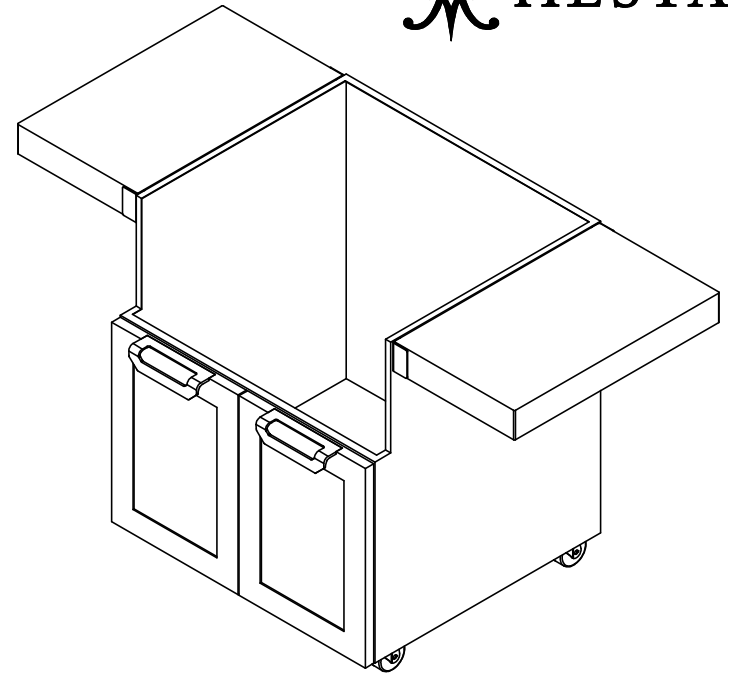
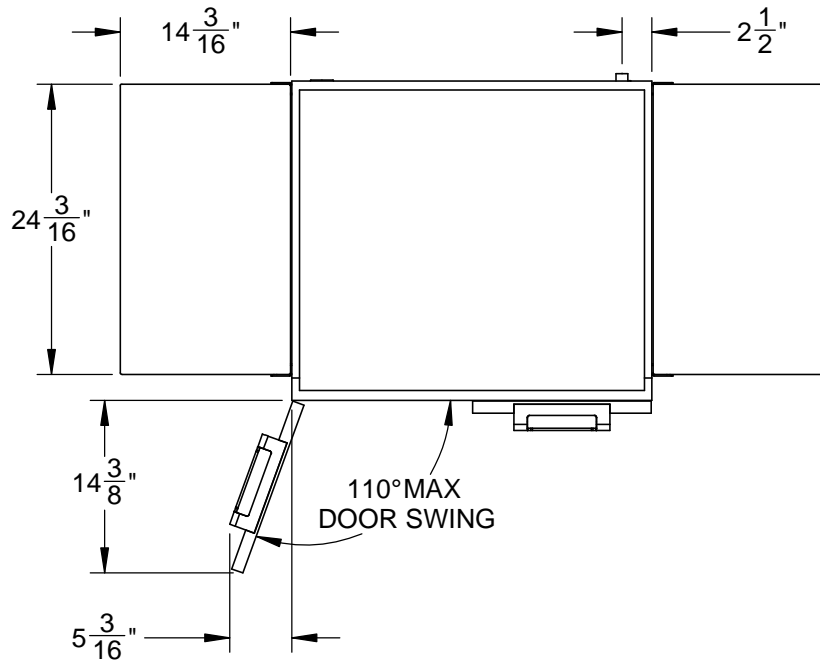


GCD30: DOUBLE DOOR CART, 30"



Revised: 5/3/2016