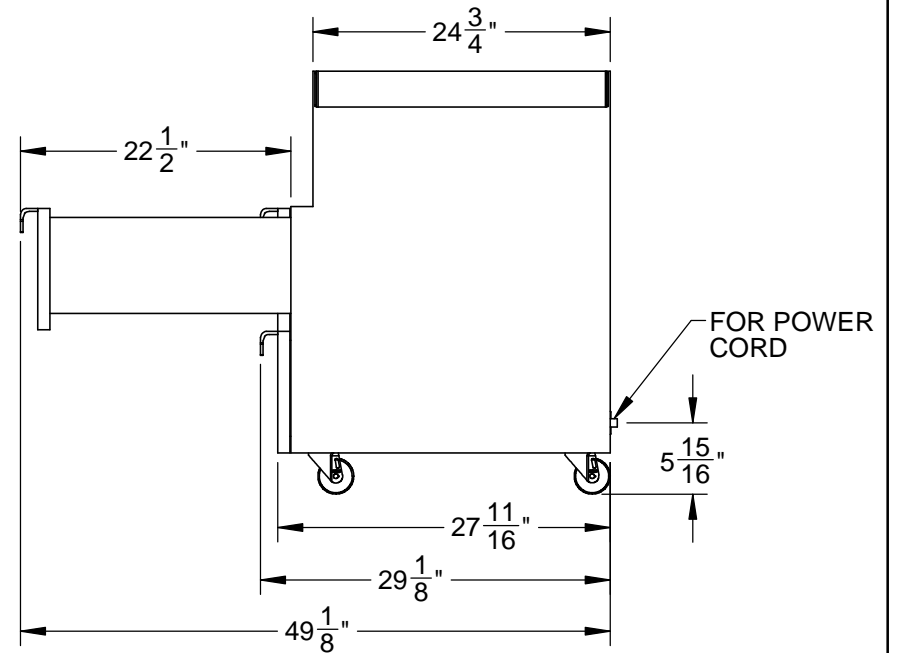
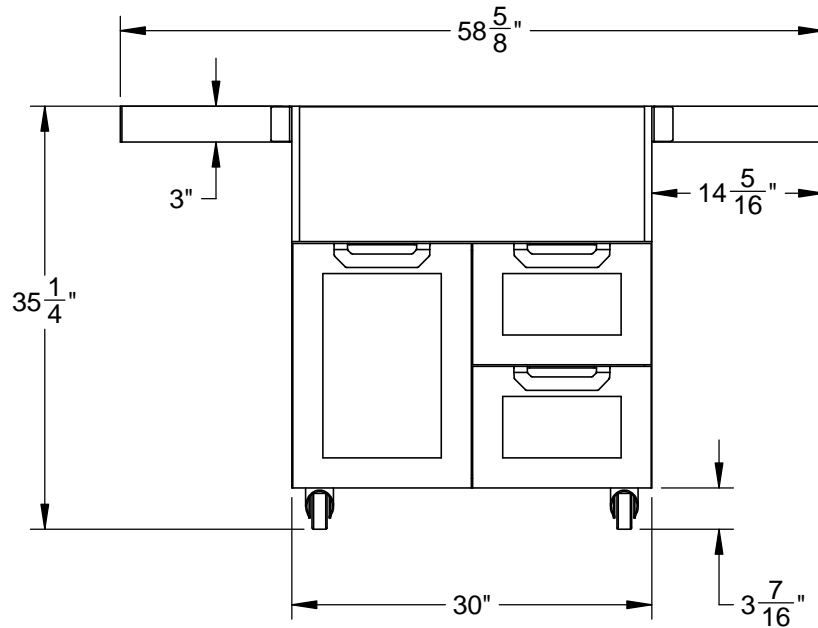
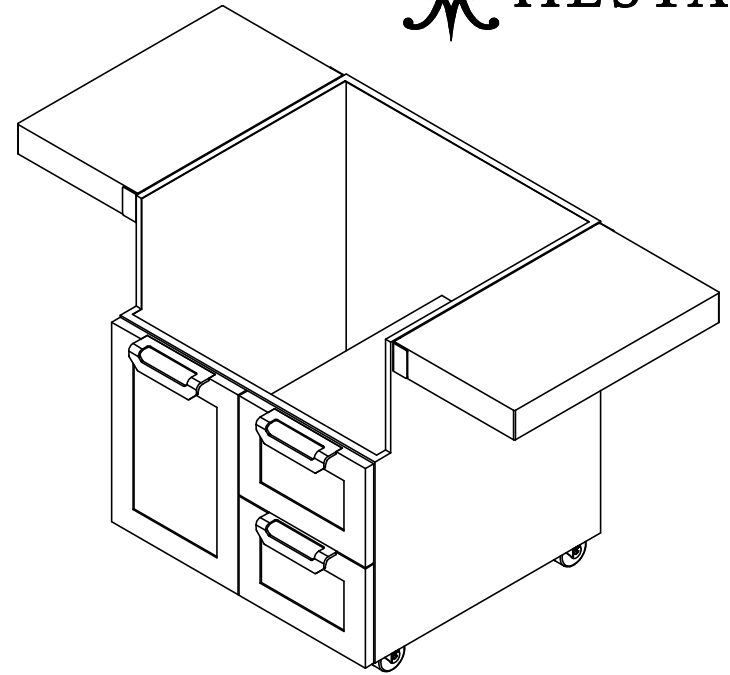
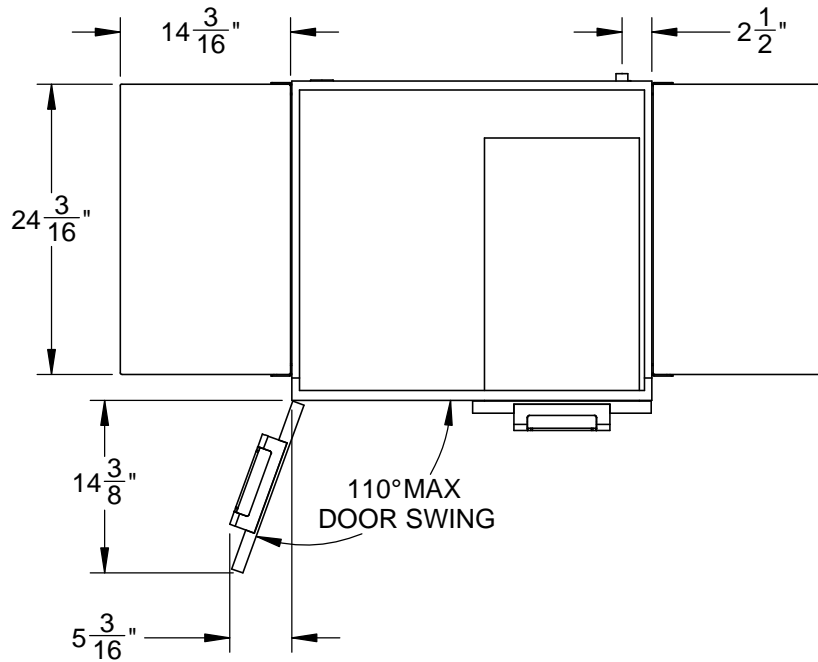


# GCR30: DOUBLE DRAWER AND DOOR CART, 30"



Revised: 5/3/2016