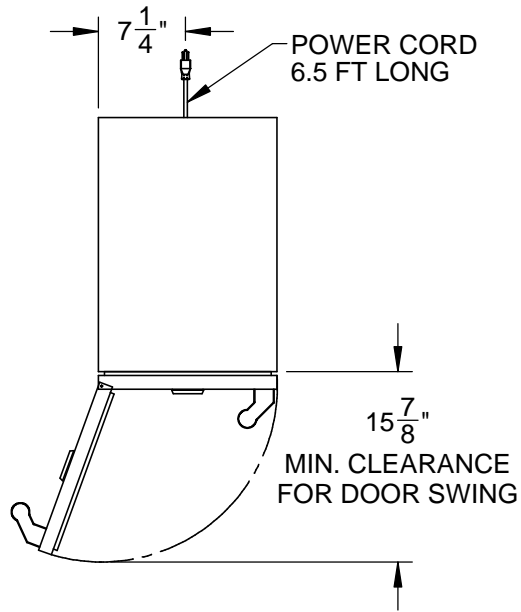
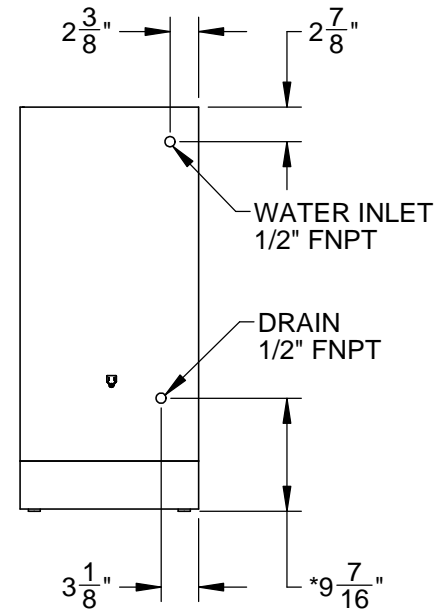
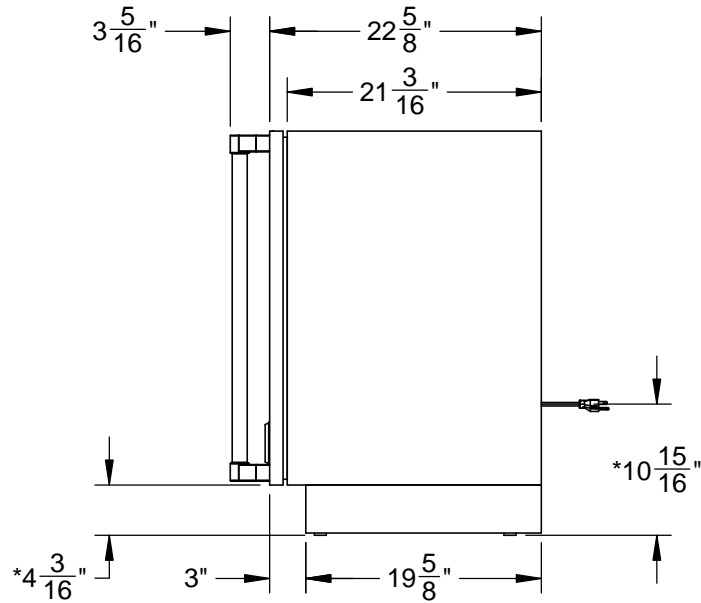
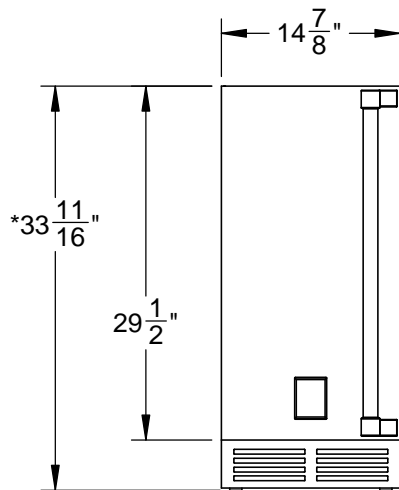
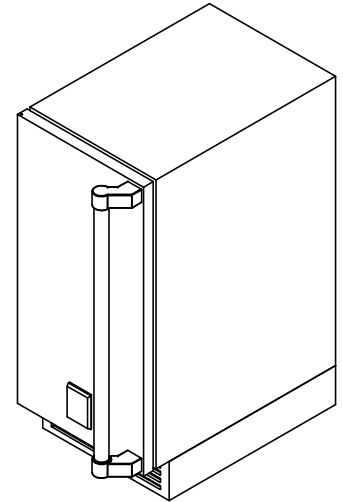


GIML15: OUTDOOR ICE MACHINE, LEFT HINGED 15"



CUTOUT DIMENSIONS:
34" H - 15" W - 24" D



*- Leg levelers can add
to these dimensions
when fully extended

Revised: 5/3/2016