



STORAGE and CLEANUP

SINGLE AND DOUBLE ACCESS DOORS



- Available in 18", 24", 30" and 36" widths
- Recessed Marquise™ accented panel with commercial grade handle
- Heavy gauge welded body construction
- Door alignment adjustability

DRAWER AND DOOR DRAWER COMBOS



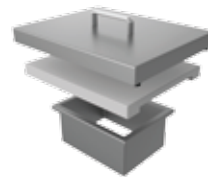
- Available in 16" (double drawer), 30", and 36" (door drawer combo) widths
- Recessed Marquise™ accented panel with commercial grade handle
- Door alignment adjustability
- Heavy gauge welded body construction

CLEAN UP



PAPER TOWEL DISPENSER

- Can be mounted horizontally or vertically (left or right opening)
- Heavy gauge welded body construction
- Recessed Marquise™ accented panel with commercial grade handle



COUNTERTOP TRASH CHUTE

- Heavy gauge welded body construction
- Complimentary to Trash Center
- Easy disposal without pulling out the Trash Center door
- Stainless steel top cover with handle
- Commercial grade cutting board that slides for easy access to chute



TRASH STORAGE DRAWER

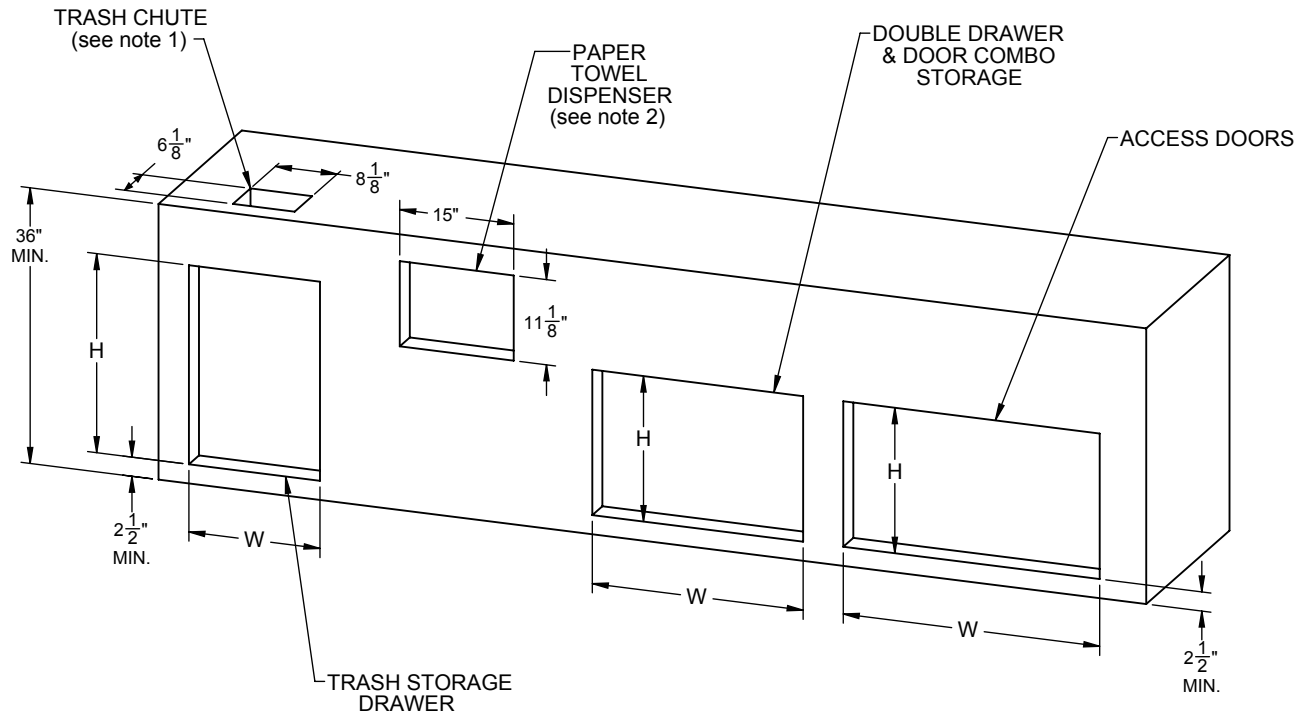
- Available in 20" width
- Heavy gauge welded body construction
- Slide out trash bin that is easily removable for emptying and cleaning
- Full extension slides
- Recessed Marquise™ accented panel with commercial grade handle

STORAGE
AND CLEANUP

NOTES:

1) Trash Chute AETC cutout depends on type of countertop used. Please refer to installation instructions for details.

2) Paper Towel Dispenser AEPTD16 can be installed in 3 different orientations using these cutout dimensions. Please refer to installation instructions for details.



__ = specify (L) or (R) for Left or Right Hinge model

XX = width needed

Models	Description	Product Width Options		Cutout Dimensions		
		W (in.)	W (in.)	D (in.)	H (in.)	
AEAD__xx	Single Access Door	18" or 24"	15 ^{-7/8"} , 21 ^{-7/8"}	n/a	19	
AEADxx	Double Access Doors	30" or 36"	27 ^{-7/8"} , 33 ^{-7/8"}	n/a	19	
AEDR16	Double Drawers	16"	13 ^{-7/8"}	23 ^{-3/8"}	19	
AESDRxx	Double Drawer and Storage Door Combination	30" or 36"	27 ^{-7/8"} , 33 ^{-7/8"}	23 ^{-3/8"}	19	
AETRC20	Trash Storage Drawer	20"	17 ^{-1/4"}	18	26	
AETC	Countertop Trash Chute	-	6 ^{-1/8"}	8 ^{-1/8"}	n/a	
AEPTD16	Paper Towel Dispenser	16"	11 ^{-1/8"}	10 ^{-1/8"}	15	

Aspire by Hestan products are approved for outdoor use only. Hestan Commercial Corporation reserves the right to change materials and specifications without notice.