

ASPIRE
BY HESTAN

Marquise™ Accented Panels



Adjustable Door Hinges



LP Tank Storage



STANDARD FEATURES

- Available in 30" and 36" widths
- Fold-down side shelves for extra work space
- 2-door configuration
- Recessed Marquise™ accented panels with commercial grade handles
- Door hinges with alignment adjustability
- Commercial grade gray casters with 360 degrees of maneuverability for the smoothest cart movement
- Location in front left floor to store LP gas tank

TOWER CARTS



Grill Head Sold Separately
Showing cart model ECD36

OPTIONS & ACCESSORIES

- Hestan signature color finishes Red-Matador, Black-Stealth, Blue-Prince, Orange-Citra
- Vinyl Cover

30" TOWER CART

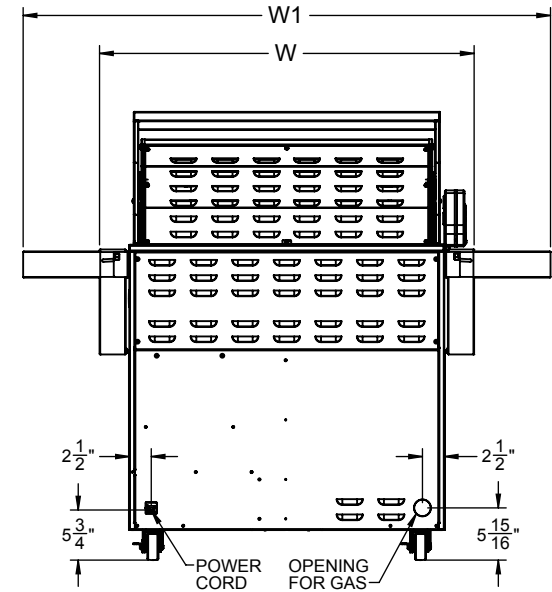
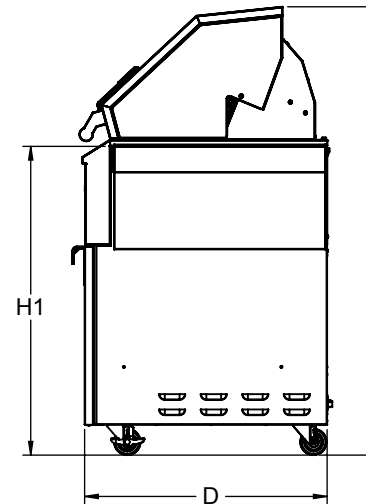


36" TOWER CART



*Shown in Optional Color
Grill sold separately*

All Models	Description	Overall Dims			H ₁ (in.) cart only	W ₁ (in.)
		W(in.)	D(in.)	H(in.)		
ECD30	30" Double Door Tower Cart	36- ¹³ / ₁₆	27- ¹¹ / ₁₆	51- ¹ / ₄	35- ⁵ / ₁₆	51- ¹ / ₄
ECD36	36" Double Door Tower Cart	42- ¹³ / ₁₆	27- ¹¹ / ₁₆	51- ¹ / ₄	35- ⁵ / ₁₆	60- ¹ / ₄



Aspire by Hestan products are approved for outdoor use only. Hestan Commercial Corporation reserves the right to change materials and specifications without notice.